

Common Mode Choke / AC Line Filters - UT20LFLF SERIES

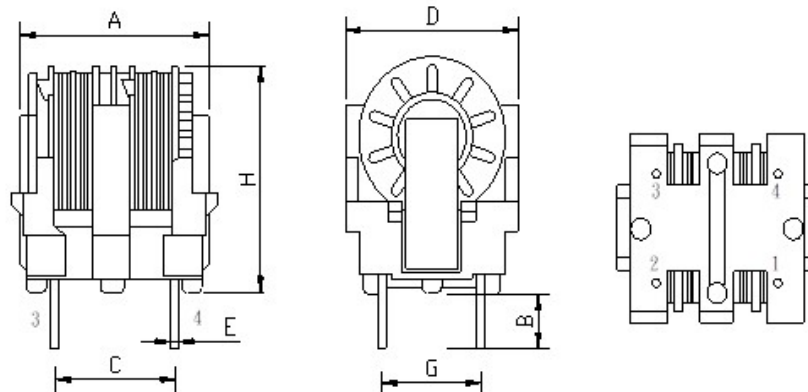


PART NUMBERING SYSTEM

UT	20LF	—	123	—	LF
TYPE	DIMENSIONS		IMPEDANCE		LEAD FREE

SHAPES AND DIMENSIONS

UNIT : mm



A=22.0 Max. B=4.0±1.0 C=13±0.5 D=17.5 max. E=0.8±0.1 G=10.0±0.5

DESCRIPTION

- Through-Hole off-line common mode inductors .
- Inductance range from 1.5mH to 100 mH .
- Provide significant attenuation of common noise across a broad range of frequencies . .
- UT20LF families are low cost, high efficiency choke coil designed to virtually eliminate line conducted common mode noise .

APPLICATIONS

- Off-line power supplies.
- Protects AC input from effects of switching regulators .
- DC - DC Converters .
- Computer , TV , VCR , audio and office equipment . .

Common Mode Choke / AC Line Filters - UT20LFLF SERIES



ELECTRICAL CHARACTERISTICS :

PART NUMBER	Common Mode Inductance (mH)	RATED CURRENT (A)	RATED VOLTAGE (V)	INSULATION RESISTANCE (M ohm)
UT20LF-152-LF	1.50 min.	2.00	300	100min.
UT20LF-182-LF	1.80 min.	1.50	300	100min.
UT20LF-222-LF	2.20min.	1.50	300	100min.
UT20LF-302-LF	3.00min.	1.30	300	100min.
UT20LF -352-LF	3.50 min.	1.20	300	100min.
UT20LF-552-LF	5.50 min.	1.00	300	100min.
UT20LF-742-LF	7.40 min.	0.80	300	100min.
UT20LF-103-LF	10.0 min.	0.70	300	100min.
UT20LF-123-LF	12.0 min.	0.60	300	100min.
UT20LF-163-LF	15.0 min.	0.55	300	100min.
UT20LF-203-LF	20.0 min.	0.50	300	100min.
UT20LF-223-LF	22.0 min.	0.45	300	100min.
UT20LF-273-LF	27.0 min.	0.45	300	100min.
UT20LF-303-LF	30.0 min.	0.40	300	100min.
UT20LF-433-LF	43.0 min.	0.30	300	100min.
UT20LF-104-LF	100.0 min.	0.30	300	100min.

- 1) Operating Temperature Range : -40°C to + 85 °C range is application specific.
- 2) Winding Temperature Rise (at Rated Current) : 60K max.
- 3) Packaging : Supplied in bulk packaging.